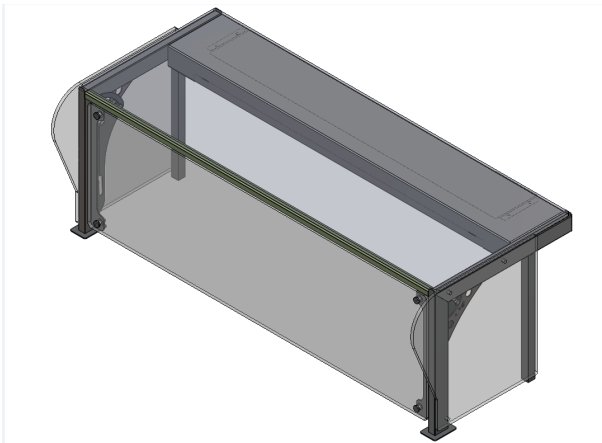


# FS-Convertible Food Shields



Item #: \_\_\_\_\_ Quantity: \_\_\_\_\_

Project: \_\_\_\_\_



Service to Self-service (no tools required).

## Models

- FSX**
- FSS**
- FST**

## Food Shields (Standard) Convertible-Adjustable

### One Person Operation – Adjust/Clean

Multiteria serving lines have the industry's best food shields. We have made them available for "millwork" and replacement type projects. Available with standard 2" x 1" uprights. Featuring knob-less clean design, tempered safety glass.

## Details & Mounting Options

### FSX Surface Mount Series

- 2" x 1" Rectangle tubing with flange and exposed fasteners

### FSS Surface Mount Series

- 2" x 1" Rectangle tubing — No flange or exposed fasteners

### FST Through the Counter Mount Series

- 2" x 1" Rectangle tubing—No flange or exposed fasteners

\* Consult Factory for recommendation or assistance with selection

### FSX - Through Counter Mount Series (2" x 1" Rectangle Tubing)

Center Post Distance

Convertible	22"	35"	49"	62"	75"	88"
1 Tier	FST-C1-22	FST-C1-35	FST-C1-49	FST-C1-62	FST-C1-75	FST-C1-88
2 Tier	FST-C2-22	FST-C2-35	FST-C2-49	FST-C2-62	FST-C2-75	FST-C2-88

Suffixes/Options

"S" - Stainless, or  
"B" - Black, or  
"W" - White

### FSS - Surface Mount Series (2" x 1" Rectangle Tubing) – No Flange or Exposed Fasteners

Counter Post Distance

Convertible*	22"	35"	49"	62"	75"	88"
1 Tier	FSS-C1-22	FSS-C1-35	FSS-C1-49	FSS-C1-62	FSS-C1-75	FSS-C1-88
2 Tier	FSS-C2-22	FSS-C2-35	FSS-C2-49	FSS-C2-62	FSS-C2-75	FSS-C2-88

"L" - LED Lights

"HL" - Heat Strip  
with lights

### FSX - Surface Mount Series (2" x 1" Rectangle Tubing) – With Flange and Exposed Fasteners

Convertible*	22"	35"	49"	62"	75"	88"
1 Tier	FSX-C1-22	FSX-C1-35	FSX-C1-49	FSX-C1-62	FSX-C1-75	FSX-C1-88
2 Tier	FSX-C2-22	FSX-C2-35	FSX-C2-49	FSX-C2-62	FSX-C2-75	FSX-C2-88

"H" heat

"R" RH Electrical

"L" LH Electrical

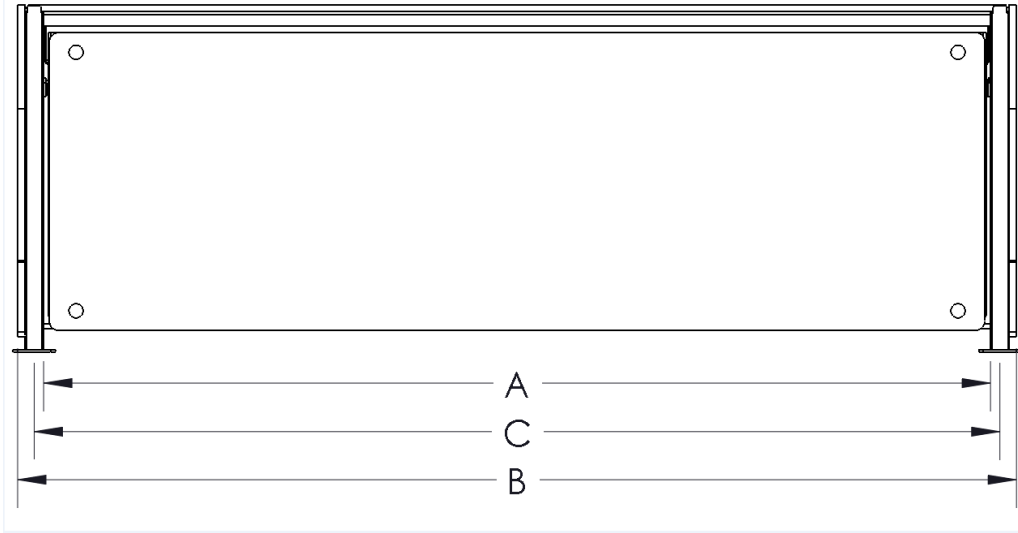
Please contact Multiteria for Auto CAD and REVIT drawings of standard food shields

NOTE: All food shields are make to order. Orders cannot be cancelled

**Please contact factory to confirm dimensions prior to ordering food shields**

NEW - Multiteria® FS-Series and ES-Series Food Shields

## Convertible-Adjustable One Person Operation – Adjust/ Clean



Overall Size/ Description	Through Counter			Countertop - No Flange			Counter top - Surface Mount		
	"A" - ID Clearance be- tween feet/ legs/flanges	"B" - OD End Glass to end glass	"C" - Center	"A" - ID Clearance between feet/ legs/flanges	"B" - OD End Glass to end glass	"C" - Center	"A" - ID Clearance between feet/ legs/flanges	"B" - OD End Glass to end glass	"C" - Center
22- 1 pan	21	24-1/4	22	21	24-1/4	22"	21	24-1/4	22
35- 2 pan	34	37-1/4	35	34	37-1/4	35	34	37-1/4	35
49- 3 pan	48	51-1/4	49	48	51-1/4	49	48	51-1/4	49
62- 4 pan	61	64-1/4	62	61	64-1/4	62	61	64-1/4	62
75- 5 pan	74	77-1/4	75	74	77-1/4	75	74	77-1/4	75
88- 6 pan	87	90-1/4	88	87	90-1/4	88	87	90-1/4	88

120V			
	LED LIGHTS	HEATER STRIP	HEATER STRIP WITH LIGHTS
22" - 1 pan	132w, 1.1a	350w, 2.9a	482w, 4.0a
35" - 2 pan	132w, 1.1a	500w, 4.1a	632w, 5.3a
49" - 3 pan	144w, 1.2a	800w, 6.6a	944w, 7.9a
62" - 4 pan	144w, 1.2a	1250w, 10.4a	1394w, 11.6a
75" - 5 pan	144w, 1.2a	1000w, 8.3a	1144w, 9.5a
88" - 6 pan	144w, 1.2a	1600w, 13.3a	1744w, 14.8a

208V			
	LED LIGHTS	HEATER STRIP	HEATER STRIP WITH LIGHTS
22" - 1 pan	145w, 0.7a	350w, 1.7a	495w, 2.4a
35" - 2 pan	145w, 0.7a	500w, 2.4a	645w, 3.1a
49" - 3 pan	208w, 1.0a	800w, 3.8a	1008w, 4.8a
62" - 4 pan	208w, 1.0a	1250w, 6.0a	1458w, 7.0a
75" - 5 pan	208w, 1.0a	1000w, 4.8a	1208w, 5.8a
88" - 6 pan	208w, 1.0a	1600w, 7.7a	1808w, 8.7a

240V			
	LED LIGHTS	HEATER STRIP	HEATER STRIP WITH LIGHTS
22" - 1 pan	168w, 0.7a	350w, 1.5a	518w, 2.2a
35" - 2 pan	168w, 0.7a	500w, 2.1a	668w, 2.8a
49" - 3 pan	240w, 1.0a	800w, 3.3a	1040w, 4.3a
62" - 4 pan	240w, 1.0a	1250w, 5.2a	1490w, 6.2a
75" - 5 pan	240w, 1.0a	1000w, 4.2a	1240w, 5.2a
88" - 6 pan	240w, 1.0a	1600w, 6.7a	1840w, 7.7a

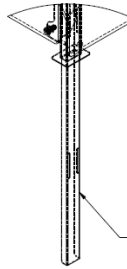
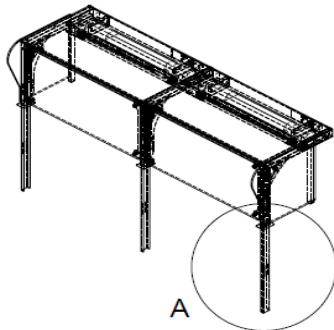
Please contact Multiteria for Auto CAD and REVIT drawings of standard food shields

NOTE: All food shields are made to order. Orders cannot be cancelled  
Please contact factory to confirm dimensions prior to ordering food shields



**NEW - Multiteria® FS-Series and ES-Series Food Shields**  
**Convertible-Adjustable**

**Through Counter**



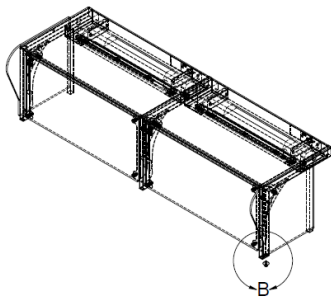
DETAIL A  
SCALE 1 : 6

**WORK INSTRUCTIONS:**

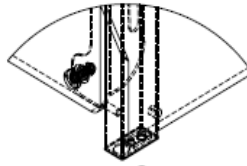
TO COMPLY WITH NSF GUIDELINES,

- MARK THE CUT OUT HOLES SO THAT FRONT TUBE IS "X" INCHES FROM THE FRONT OF THE COUNTER
- CUT HOLES IN TOP, PER DIMENSION "C" ON THE SPECIFICATION SHEET AND CUT OUT SHAPE PROVIDED
- INSTALL CUSTOM BRACKET INTO COUNTER, SEE NOTE \*
- INSTALL C-CHANNELS INTO THE COUNTER
- INSTALL THE FOOD SHIELD ON TO THE C-CHANNELS, WHILE RUNNING THE ELECTRICAL INTO THE COUNTER AND THROUGH THE C-CHANNEL
- WIRE THE FOOD SHIELD TO THE COUNTER

**Counter Top—No Flange**



DETAIL B  
SCALE 1 : 4



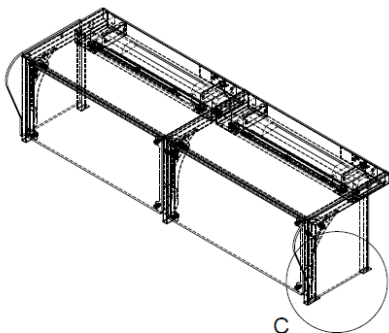
BOLT FROM  
UNDERNEATH

**WORK INSTRUCTIONS:**

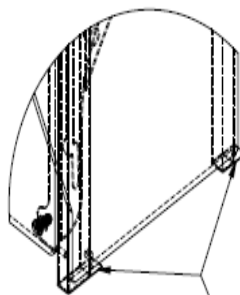
TO COMPLY WITH NSF GUIDELINES,

- MARK THE DRILL HOLES SO THAT FRONT TUBE IS "X" INCHES FROM THE FRONT OF THE COUNTER
- DRILL 3/8" DIAMETER HOLES IN TOP PER DIMENSION "C" ON THE SPECIFICATION SHEET
- DRILL 5/8" DIAMETER HOLE PER TEMPLATE, PROVIDED, ON THE SPECIFIED ELECTRICAL END
- SET THE FOOD SHIELD ON TO THE TOP OF THE COUNTER, WHILE RUNNING THE ELECTRICAL INTO THE COUNTER
- BOLT THE FOOD SHIELD INTO PLACE FROM UNDERNEATH WITH THE FASTENERS PROVIDED
- WIRE THE FOOD SHIELD TO THE COUNTER

**Counter top; Surface Mount**



DETAIL C  
SCALE 1 : 6



BOLT FROM  
TOP SIDE

**WORK INSTRUCTIONS:**

TO COMPLY WITH NSF GUIDELINES,

- MARK THE DRILL HOLES SO THAT FRONT TUBE IS "X" INCHES FROM THE FRONT OF THE COUNTER
- DRILL 3/8" DIAMETER HOLES IN TOP PER DIMENSION "C" ON THE SPECIFICATION SHEET
- DRILL 5/8" DIAMETER HOLE PER TEMPLATE, PROVIDED, ON THE SPECIFIED ELECTRICAL END
- SET THE FOOD SHIELD ON TO THE TOP OF THE COUNTER, WHILE RUNNING THE ELECTRICAL INTO THE COUNTER
- BOLT THE FOOD SHIELD INTO PLACE FROM THE TOP WITH THE FASTENERS PROVIDED
- WIRE THE FOOD SHIELD TO THE COUNTER

Please contact Multiteria for autocad and revit drawings of standard food shields

NOTE: All food shields are make to order. Orders cannot be cancelled  
**Please contact factory to confirm dimensions prior to ordering food shields**

