

MODULAR ISLAND CASHIER STANDS



Item # _____ Quantity _____

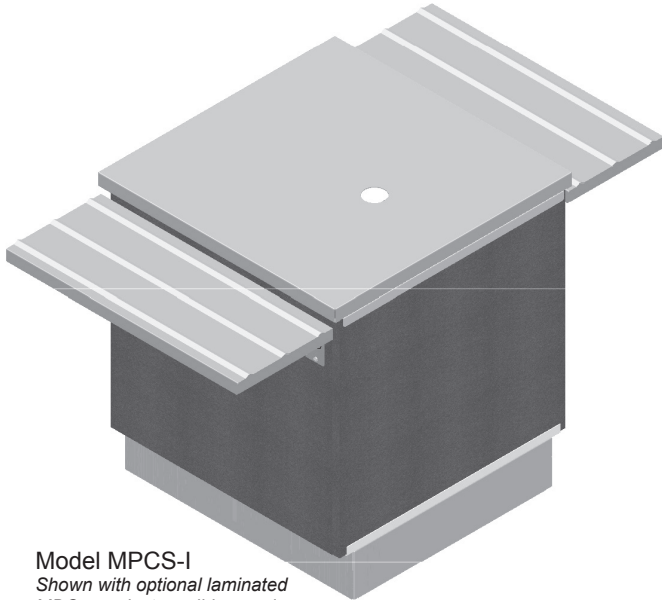
Project _____

MODELS

- MPCS-I MPCS-I-ADA

M- POWER™ Series

- ▶ Durable all-welded stainless steel rigid frame
- ▶ Lightweight, easy mobility with 30" width for doorway passage (Model MPCS-I)
- ▶ Heavy duty 14-gauge stainless steel countertop
- ▶ Interchangeable stainless steel or optional laminate exterior panels match or complement any décor
- ▶ Locking cash drawer (standard on model MPCS-I)
- ▶ 8' power cord with plug
- ▶ 6" heavy-duty swivel casters, 2 ea. with brake
- ▶ Optional fold-down 12" stainless steel 'V' ridge tray slides, removable without tools
- ▶ Optional powder coated toe plate(s), front plate hinged for easy access, available in a variety of colors
- ▶ Optional patented *TIGHT LINK™* interlocking mechanism, eliminating vertical and horizontal gaps between counters, is available



Model MPCS-I
Shown with optional laminated MDO panels, tray slides, and toe plates.



OPTIONS & ACCESSORIES

Tray Slide (Optional)

- 2" below counter 4" below counter

Counter Height

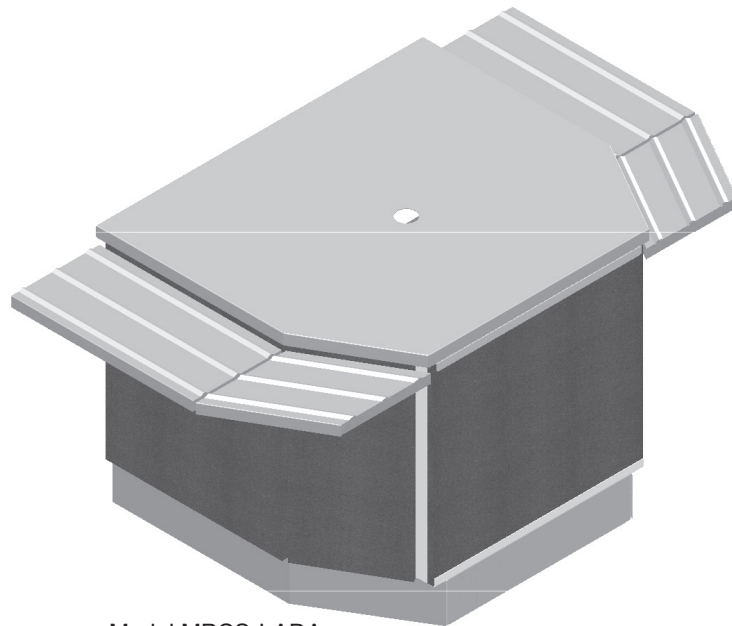
- 34" high (standard) 32" high

Inset Base Panels

- Stainless steel (standard) 3/4" Laminated MDO board
 Graphic design Specify *P-lam* _____

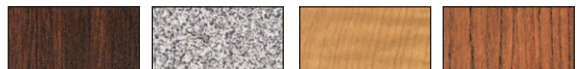
Other Options/Accessories

- Stainless steel toe plates
- Epoxy finish toe plates
- TIGHT LINK interlocking mechanism
- Stainless steel cash drawer, Model MPCS-I-ADA (not available on 32" counter height version)



Model MPCS-I-ADA
Shown with optional laminated MDO panels, tray slides, and toe plates.

Optional Laminated Panel Finishes



- Walnut Gray Sand Light Maple Victorian Cherry



- Beige Suede Hard Rock Maple Red Maple Black



- Red Green Royal Blue Purple

Other Plastic Laminate Finishes Available

- Specify _____

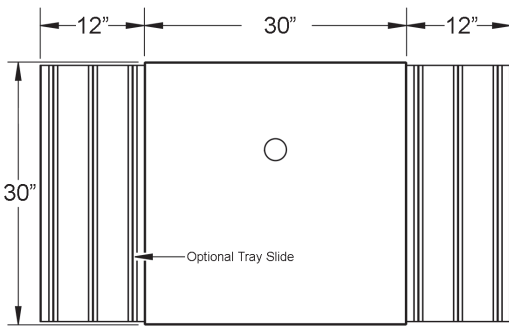
MULTITERIA • 4900 W. ELECTRIC AVENUE • WEST MILWAUKEE, WI 53219

OFFICE: 414.902.6400 • FAX: 414.902.6446 • INFO@MULTITERIAUSA.COM • WWW.MULTITERIAUSA.COM

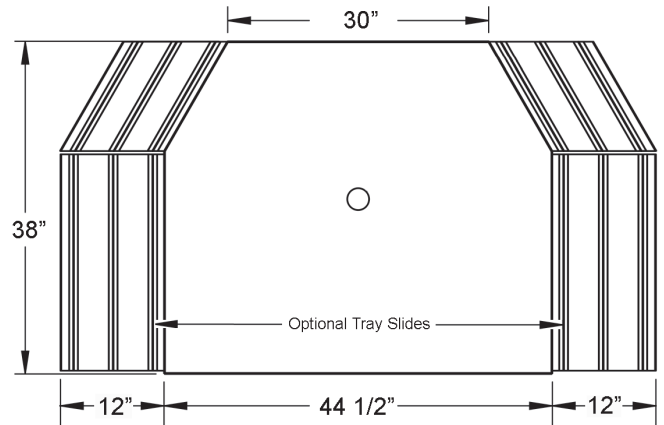
MODELS
MPCS-I
MPCS-I-ADA

MODULAR ISLAND CASHIER STANDS

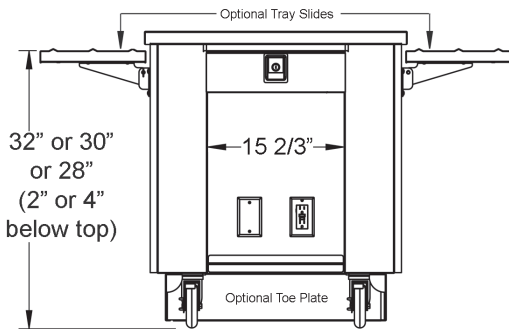
M-POWER™ Series



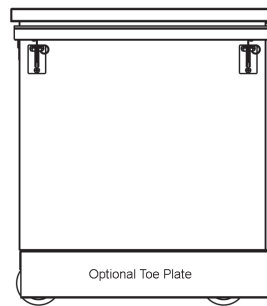
Plan View ▲



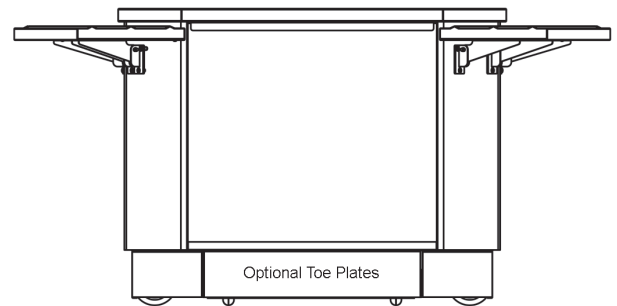
Plan View ▲



Operator View ▲



Side View ▲

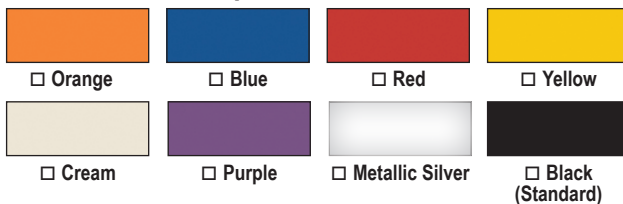


Front View ▲

Model MPCS-I

Model MPCS-I-ADA

Available Optional Toe Plate Colors



MODEL DETAILS

Model	Style	Ship Wt. (Lbs.)
MPCS-I	Conventional	250
MPCS-I-ADA	ADA Compliant	300

SPECIFICATIONS

General:

Provide Multiteria Model _____ (MPCS-I, MPCS-I-ADA), to be constructed with heavy-duty all-welded stainless steel rigid frame. Countertop to be manufactured with 14-gauge stainless steel with 1½" top turndown, with centered grommeted cord passage opening. All welds to be ground and polished to provide #4 finish. Counter to have removable stainless steel front/end panels. Fold-down 12" wide stainless steel tray slides (optional) are full-length with triple 'V' ridge top surface, and are removable without tools. Locking stainless steel cash drawer with compartment insert is included on model MPCS-I (optional on model MPCS-I-ADA, except 32" height version). Interior compartment includes an empty data box and a 5-15R GFCI duplex power outlet, wired to 8' cordset with 5-15P plug. UL listed electrical and sanitation.

Body Frame:

Core and shell is 100% stainless steel formed structural box ends, all TIG welded in place, no rivets or fasteners. Body frame is designed to accept optional TIGHT LINK™ (patented) fastening system for multiple counters. Base on model MPCS-I to be furnished with removable stainless steel undershelf. Unit has four ea. 6" heavy-duty swivel casters, two ea. with brake.

Front & End Panels:

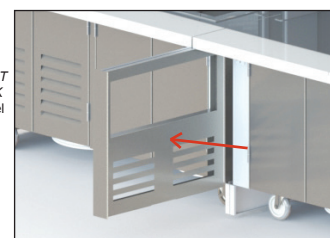
All stainless steel panels are to be 18-gauge. Optional millwork panels are ¾" thick with standard plastic laminate on front and white laminate interior. Panels shall be removable for service access. Millwork end panels shall be removable without tools.

Optional TIGHT LINK™ System

Patented system features slide-in panels that link adjacent counters together their entire depth and height to eliminate top, front and rear horizontal and vertical gaps between equipment. Linking panels are open to allow mechanical connections to run through adjoining counters without having to cut access holes, reducing the number of building mechanicals required to connect equipment.

Limited Warranty:

Core and shell has a lifetime warranty against weld or structural support failure.



TIGHT LINK Panel



MULTITERIA • 4900 W. ELECTRIC AVENUE • WEST MILWAUKEE, WI 53219

OFFICE: 414.902.6400 • FAX: 414.902.6446 • INFO@MULTITERIAUSA.COM • WWW.MULTITERIAUSA.COM