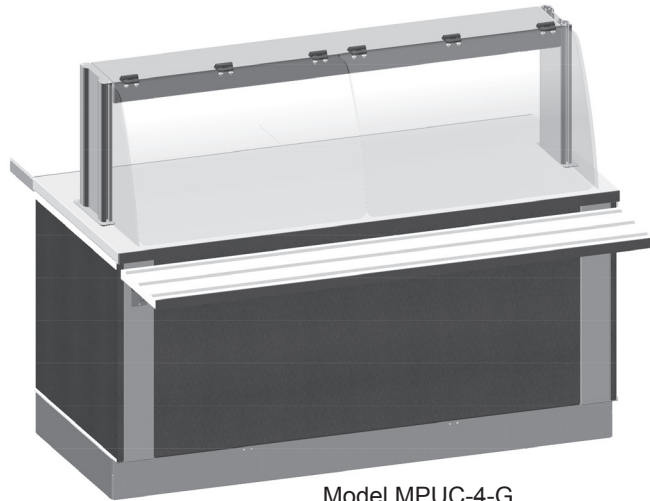
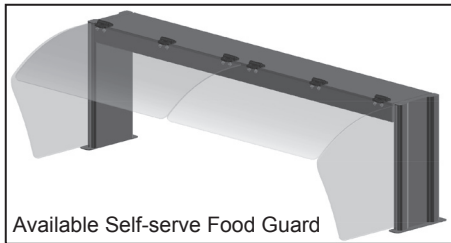


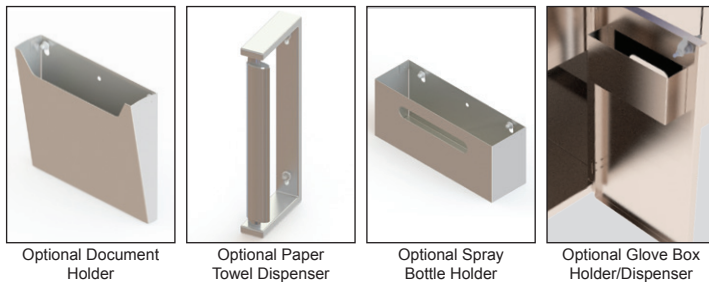
# modular single-sided utility food counters



Model MPUC-4-G  
Shown with full-serve food guard, and optional work ledge, tray slide, and toe plates.



Available Self-serve Food Guard



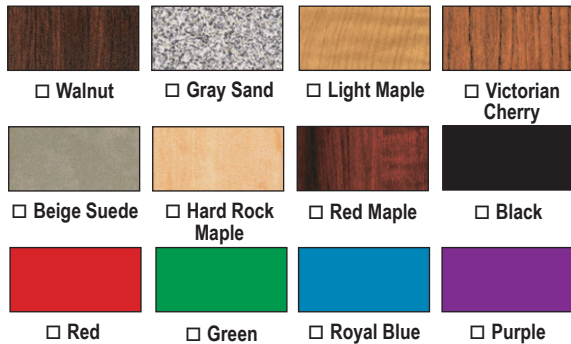
Optional Document Holder

Optional Paper Towel Dispenser

Optional Spray Bottle Holder

Optional Glove Box Holder/Dispenser

## Standard Laminated Panel Finishes



Walnut

Gray Sand

Light Maple

Victorian Cherry

Beige Suede

Hard Rock Maple

Red Maple

Black

Red

Green

Royal Blue

Purple

## Other Plastic Laminate Finishes Available

Specify \_\_\_\_\_

Item # \_\_\_\_\_ Quantity \_\_\_\_\_

Project \_\_\_\_\_

### Models

- MPUC-2-G  MPUC-3-G  MPUC-4-G  
 MPUC-5-G  MPUC-6-G

## M-POWER™ Series

- ▶ Durable all-welded stainless steel rigid frame
- ▶ Attractive, lightweight **M-POWER** food guard for full-serve or self-serve applications
- ▶ Lightweight, easy mobility with 30" width for doorway passage
- ▶ Heavy duty 14-gauge stainless steel countertop
- ▶ Interchangeable stainless steel or optional laminate exterior panels match or complement any décor
- ▶ 8' power cord with plug
- ▶ 6" heavy-duty swivel casters, 2 ea. with brake
- ▶ Optional fold-down 12" stainless steel 'V' ridge tray slide, removable without tools
- ▶ Optional powder coated toe plate(s), front plate hinged for easy access, available in a variety of colors
- ▶ Optional patented **TIGHT LINK™** interlocking mechanism eliminates vertical and horizontal gaps between counters is available
- ▶ Available in 48" to 94" long models



### options & accessories

#### Food Guard

- Full-serve  Self-serve  
 USB port  LED light  
 Heat strip  
 Special color frame epoxy finish (black is standard)  
Specify \_\_\_\_\_

#### Tray Slide (Optional)

- 2" below counter  4" below counter

#### Counter Height

- 34" high  32" high

#### Inset Base Panel(s)

- Stainless steel (standard)  3/4" Laminated MDO board  
 Graphic design Specify P-lam \_\_\_\_\_

#### Other Options/Accessories

- Stainless steel toe plate  
 Epoxy finish toe plate (to match food guard frame)  
 TIGHT LINK interlocking mechanism  
 Hinged doors (stainless steel) \*  
 Stainless steel 8" fold-down work ledge with removable poly cutting board  
 Stainless steel spray bottle holder in door  
 Stainless steel paper towel holder/dispenser in door  
 Stainless steel document holder in door  
 Stainless steel glove box holder/dispenser in door

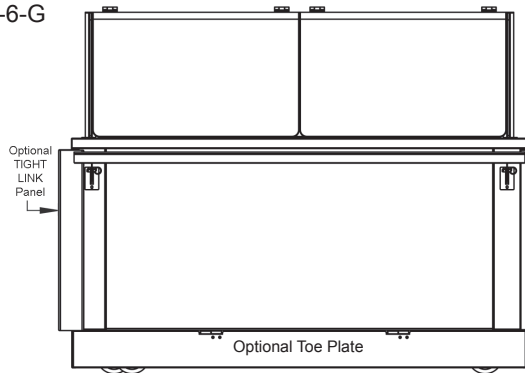
\* Customer is responsible for compliance to local regulations.

# modular single-sided utility food counters

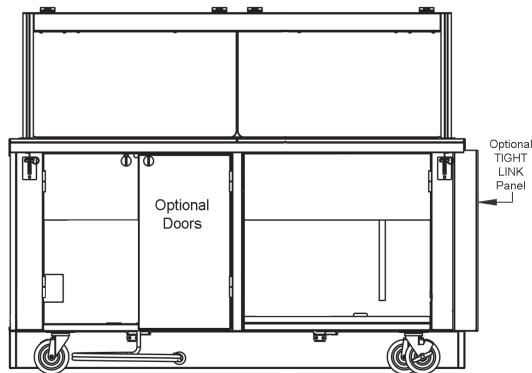
## M-POWER™ Series

### models

- MPUC-2-G
- MPUC-3-G
- MPUC-4-G
- MPUC-5-G
- MPUC-6-G

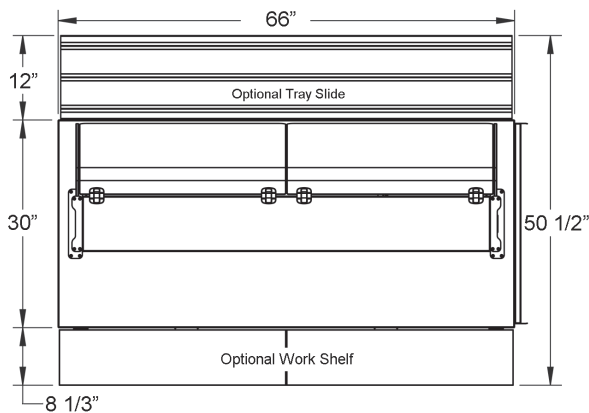


Front View ▲



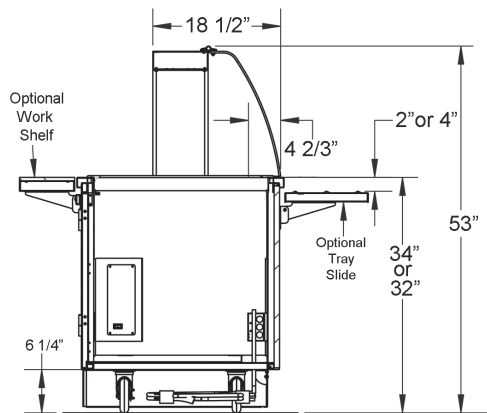
Operator View ▲

Model MPUC-4-G\*



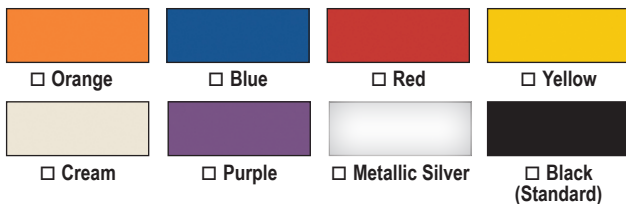
Plan View ▲

\* Shown with full-serve food guard.



End View ▲

### Available Food Guard/Kick Plate Colors



### Model Details

Model	Counter Length	Ship Wt. (Lbs.)
MPUC-2-G	48"	300
MPUC-3-G	54"	325
MPUC-4-G	66"	380
MPUC-5-G	80"	435
MPUC-6-G	94"	515

### specifications

#### General:

Provide Multiteria Model MPUC-\_\_\_\_-G, to be constructed with heavy-duty all-welded stainless steel rigid frame. Countertop to be manufactured with 14-gauge stainless steel with 1½" top turn-down. All welds to be ground and polished to provide #4 finish. Counter to have easily removable stainless steel front/end panels. Fold-down 12" wide stainless steel tray slide (optional) is full-length with triple 'V' ridge top surface, and is removable without tools. UL listed electrical and sanitation.

#### Body Frame:

Core and shell is 100% stainless steel structural channel supports, all TIG welded in place, no rivets or fasteners. Body frame is designed to accept optional TIGHT LINK™ (patented) fasteningsystem for multiple counters. Base to be furnished with removable stainless steel undershelf. Undershelf depth to allow 4" clear open space for mechanical connections during installation. Unit has four ea. 6" heavy-duty swivel casters, two ea. with brake.

#### Front & End Panels:

All stainless steel panels are to be 18-gauge. Optional MDO panels are ¾" thick with standard plastic laminate on front and white laminate interior. Panels are removable for service access. Millwork end panels are removable without tools.

#### Food Guard:

To include curved acrylic panel(s) hinged to a powder coated (black color standard) center frame. Hinged acrylic panels lift for easy cleaning access. Available in full-serve and self-serve styles.

#### Optional TIGHT LINK™ System

Patented system features slide-in panels that link adjacent counters together their entire depth and height to eliminate top, front and rear horizontal and vertical gaps between equipment. Linking panels are open to allow mechanical connections to run through adjoining counters without having to cut access holes, reducing the number of building mechanicals required to connect equipment.

#### Limited Warranty:

Core and shell has a lifetime warranty against weld or structural support failure.



Multiteria • 4900 W. Electric Avenue • West Milwaukee, WI 53219

office: 414.902.6400 • Fax: 414.902.6446 • info@multiteriausa.com • www.multiteriausa.com