

LOCK-N-LOAD™ MODULAR OPEN TOP COUNTERS



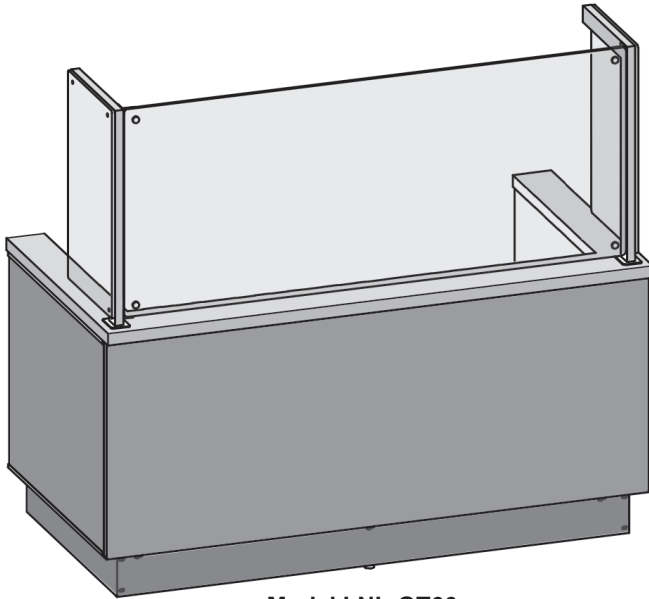
Item # _____ Quantity _____

Project _____

MODELS

- LNL-OT30
- LNL-OT36
- LNL-OT42
- LNL-OT48
- LNL-OT54
- LNL-OT60
- LNL-OT66
- LNL-OT72
- LNL-OT78
- LNL-OT84
- LNL-OT90
- LNL-OT96

OPTIONS & ACCESSORIES



Model LNL-OT66
(Shown with optional FSV food shield and toe plates.)

Counter Top

- Stainless steel (std.)
- Quartz
- End splash where abutting wall
- Corian® solid surface

Tray Slide

- V-ridge stainless steel
- Quartz
- Counter top extension, flat
- Counter top extension, with stainless steel runners
- Flat stainless steel
- Corian® solid surface

Counter Heights

- 34" high (standard)
- Available between 30" to 36"
Specify _____

Front & End Panels

- Plastic laminate (std.)
- Graphic panel
- Stainless steel

Food Shields, Display Stands, Overshelf

- FS food shield, convertible with glass shelf
- FS-V vertical food shield (no LED light option)
- LED light (FS food shield only)*
- Food shield furnished by others, installed into counter by Multiteria

Electrical Options

- Duplex outlet, in cabinet base

Casters & Toe Plate(s)

- Stainless steel adjustable legs (std.)
- Stainless steel seismic legs with flanged feet
- 6" casters with 5" wheels
- 6" adjustable-height casters with 3" wheels
- Stainless steel toe plate(s)
- Black powder coat finish toe plate(s)

Other Options/Accessories

- Custom sizes and open top clearances available
Specify requirements: _____

* Requires 120 VAC power.

- ▶ Open top design accepts buy-out service components
- ▶ Durable, welded stainless steel tubular frame
- ▶ Heavy duty 14-gauge stainless steel countertop
- ▶ Patented TIGHT LINK™ interlocking mechanism eliminates vertical and horizontal gaps between counters
- ▶ Millwork panels match or complement any décor
- ▶ Optional FS style food shield mounts into counter's vertical framework for strength and durability
- ▶ 6" high stainless steel adjustable legs



MULTITERIA • 4900 W. ELECTRIC AVENUE • WEST MILWAUKEE, WI 53219
OFFICE: 414.902.6400 • FAX: 414.902.6446 • INFO@MULTITERIAUSA.COM • WWW.MULTITERIAUSA.COM

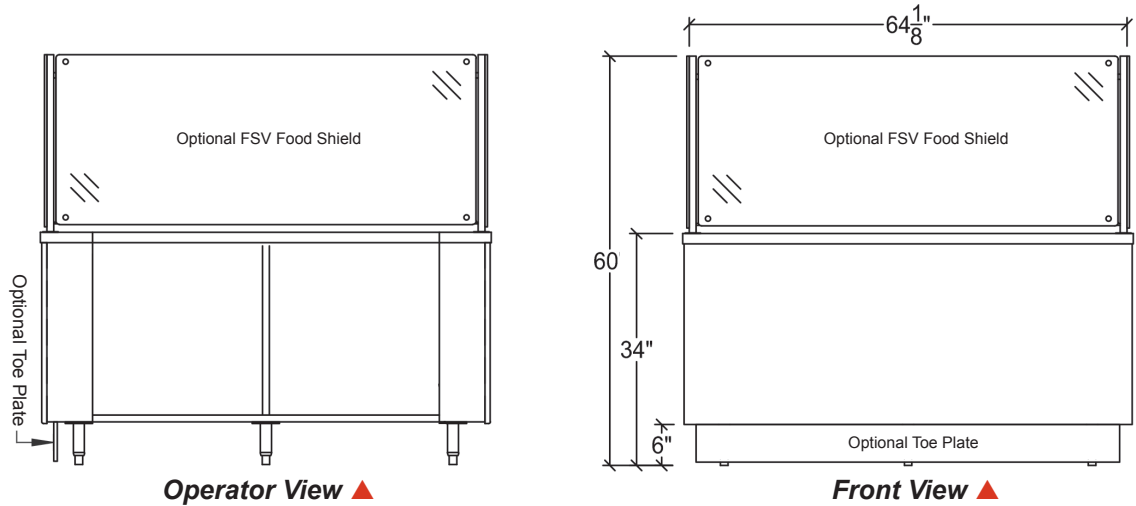
E-LNL

LOCK-N-LOAD™ MODULAR OPEN TOP COUNTERS

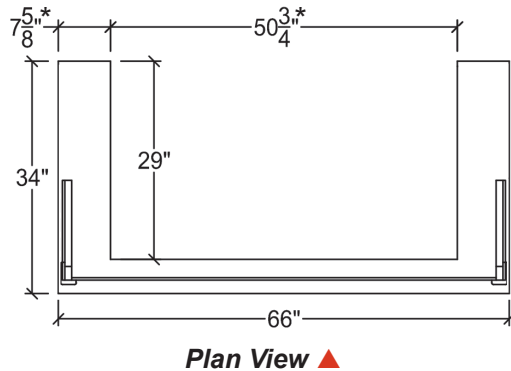
MODELS

LNL-OT30 LNL-OT36
 LNL-OT42 LNL-OT48
 LNL-OT54 LNL-OT60
 LNL-OT66 LNL-OT72
 LNL-OT78 LNL-OT84
 LNL-OT90 LNL-OT96

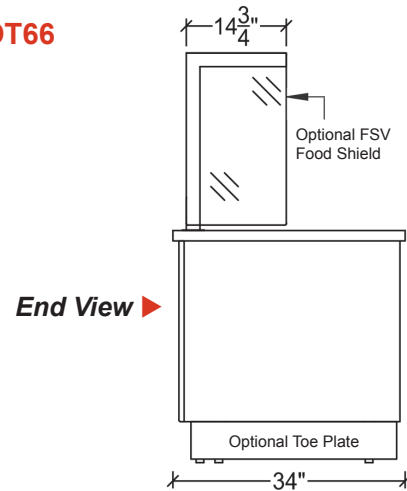
Essence™ Series



Model LNL-OT66



* Dimensions may vary depending on options.



SPECIFICATIONS

General:

Shall be Multiteria Model #LNL-OT___ to be constructed with heavy-duty welded stainless steel tubular frame, with open top clearance. Countertop to be manufactured with 14-gauge stainless steel with 1½" top turndown. All welds to be ground and polished to provide #4 finish. Counter to have easily removable ¾" laminated front and end panels. All millwork panels to have standard plastic laminate on front and white laminate interior.

Body Frame:

Shall be welded and polished, 1" stainless steel tubular framework. Body frame made to readily accept ¾" laminated panels to allow panel changing without the use of tools. Body frame made to accept TIGHT LINK™ (patented) fastening system. Base to be furnished with removable stainless steel undershelf. Undershelf depth to allow 4" clear open space for mechanical connections during installation. Unit shall rest on 6" high stainless steel legs with stainless steel adjustable feet.

TIGHT LINK™ system:

Furnish with patented slide-in panel(s) that link adjacent counters together their entire depth and height to eliminate top, front and rear horizontal and vertical gaps between equipment. Linking panels are open to allow mechanical connections to run through adjoining counters without having to cut access holes, reducing the number of building mechanicals required to connect equipment.

MODEL DETAILS

Model	Counter Length	Ship Wt. (Lbs.)	Model	Counter Length	Ship Wt. (Lbs.)
LNL-OT30	30"	170	LNL-OT66	66"	420
LNL-OT36	36"	200	LNL-OT72	72"	530
LNL-OT42	42"	275	LNL-OT78	78"	550
LNL-OT48	48"	310	LNL-OT84	84"	590
LNL-OT54	54"	330	LNL-OT90	90"	620
LNL-OT60	60"	395	LNL-OT96	96"	660

Front & End Millwork Panels:

Millwork panels to be constructed of ¾" wood substrate with standard plastic laminate on front and white laminate interior, color matching edge banding on top and sides, and black rubber T-molding on bottom edge. Panels are removable for service access. End panels are removable without use of tools.

Countertop:

Counter top is 14-gauge stainless steel with 1½" turned down edges and stainless steel support channels.

TIGHT LINK Panel



MULTITERIA • 4900 W. ELECTRIC AVENUE • WEST MILWAUKEE, WI 53219

OFFICE: 414.902.6400 • FAX: 414.902.6446 • INFO@MULTITERIAUSA.COM • WWW.MULTITERIAUSA.COM